



TECHNICAL DATA / FEATURES

- dimensions: $\phi 161 \times 112$, $\phi 161 \times 115$, $\phi 150 \times 142 \times 77$
- light functions: passing, driving, parking
- function markings: HC/R, A
 - traffic: right-hand
- reference mark: 12.5/10
- source of light: H4, R2, W5W
- maximum power: 75/70W, 55/50W, 5W
- nominal voltage: 12V-24V DC
- optics: FF
- IP rating: IP55, IP54
- housing's material: plastic, metal
- lens' material: glass
- built-in connectors: -
- other (optional): metal housing



ADDITIONAL INFORMATION

Possible installation as: left-side, right-side or in vertical position using 18mm, steel, zinc plated bushing (supplied). The wiring runs through the length of the mounting bolt.

Approved to be used with H4 and R2 type bulbs.

Useful parts while installing:

- main bulb gasket - cat. No. A.05820
- hermetic main bulb holder - cat. No. A.26925
- main bulb mounting block - cat. No. A.07128

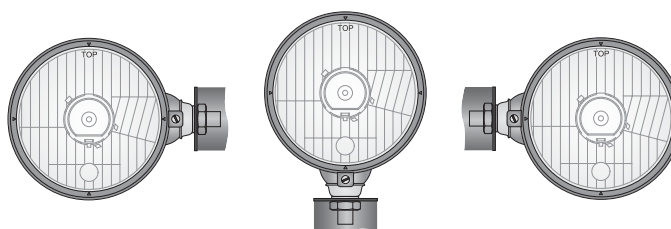
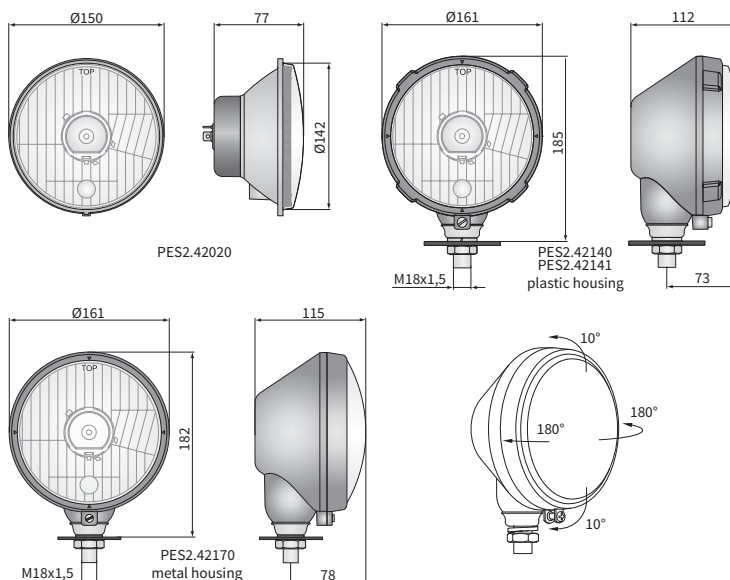
Dedicated application:

A - tractors:

- Ursus: C-300, C-4000
- Zetor: 2011, 3011, 3511, 4011, 6711
- Pronar Zubron 2032A

A - electric vehicle Melex 252

DIMENSIONS



Cat. number	Homologation code	Light functions			Accessories	Housing material	Housing material	metal	Mounting method	Application	dedicated
		passing	driving	parking							
PES2.42121	050	✓	✓	✓	bulb H4 12V	✓	✓	✓	✓	A	
PES2.42101	050	✓	✓	✓	bulb R2 12V	✓	✓	✓	✓	A	
PES2.42141	050	✓	✓	✓	bulb W5W	✓	✓	✓	✓	A	
PES2.42140	050	✓	✓	✓	bulb gasket	✓	✓	✓	✓	A	
PES2.42160	050	✓	✓	✓		✓	✓	✓	✓	A	
PES2.42150	050	✓	✓	✓		✓	✓	✓	✓	A	
PES2.42170	050	✓	✓	✓		✓	✓	✓	✓	A	
PES2.42020	050	✓	✓	✓		✓	✓	✓	✓	A	